

SVB5050W

Match Point Post or Wall Mounted Volleyball System



Customer Service
(800) 247-7668

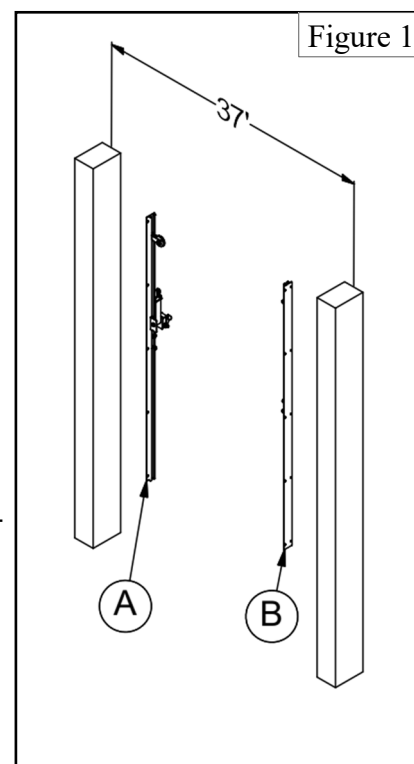
PARTS LIST					
Item	Qty	Description	Item	Qty	Description
A	1	SVB50W Winch Track	E	4	Rope Ratchet Tensioners (Packaged with Net)
B	1	SVB50W Non-Winch Track	F	2	Height Labels (Packaged with Tracks)
C	1	VB1250KU Net	G	1(PR)	VB51P VB Post Padding (Optional if Installation on Posts)
D	1(PR)	VB13 Net Antennas (Ordered Separately)			

- ◆ Inspect all contents prior to installation. Report any missing parts to dealer immediately.
- ◆ Read all instructions before proceeding.
- ◆ These systems will adjust from 42” tennis height to 96” men’s volleyball net height.

Caution!

The VB1250KU net is designed to fit Bison Match Point installation with pole or wall locations between 34’ and 40’ by customizing the length of the top rope. Tie a loop in one end of the top rope at a location that allows proper tensioning. Do Not cut the excess rope until you are confident you have the correct length. Length will depend on the distance between the standards. Nets cannot be returned after unwrapping. Call Bison Customer Service for assistance at #800-247-7668.

1. Customer supplies all hardware to mount SVB50W Tracks (A) and (B) to wall or posts. Posts must be square and at least 4" wide to accept tracks.
2. If mounting SVB50W Tracks (A) and (B) to square posts, the posts should ideally be located 37' apart center to center. See Figure 1.
3. Once the SVB50W Tracks (A) and (B) are securely attached to walls or posts, uncoil approximately 24" of the web strap from the winch to allow for net tensioning.
4. Remove the VB1250KU Net (C) from the box and tie an overhand knot on one end of the top rope creating a loop. Note: There may be a factory tied knot already on your net.
5. Attach the loop in #4 above to the hook on the top of the SVB50W Non-Winch Track (B). See Figure 2.
6. Slide the net along the top rope until the end of the net is 1' to 2' from the SVB50W Non-Winch Track (B). The top rope will have excess length on the opposite end to allow for wider location of the posts or wall mounting locations. Don't cut off any excess top rope at this point. See Figure 2.



7. Tie a second overhand knot similar to the one on the other end of the top rope at a location that you estimate will allow the top rope of the net to be properly tensioned with the winch for play when the top rope is attached to the winch web strap. This might take some trial and error until you get the knot in the correct location. Note that the knot will need to be neat and tight to be able to slide freely through the space between the rope pulley and the post when installing and removing the net from the posts. Attach the loop formed by the knot to the spring clip on the end of the web strap. See Figure 3.

8. Attach the preformed crimped loop on one end of the bottom rope to the hook on the bottom of the slider bar on the SVB50W Non-Winch Track (B). Attach the other end of the bottom rope with the spring hook on the rope ratchet to the SVB50W Winch Track (A). Tension the bottom rope by pulling the rope through the bottom rope ratchet. See Figure 4.

9. If SVB50W Tracks are mounted to square posts, loop two small Rope Ratchet Tensioners (E) around each post and through the eyelets on the net side tapes. Tension the net sides by pulling the end of the ropes. Release the Rope Ratchet Tensioners (E) by pressing on the release button. Rope Ratchet Tensioners (E) are not used if tracks are wall mounted. See Figure 5.

10. Once the VB1250KU (C) is attached it must be adjusted to its desired height. Loosen the winch to release the net tension. After the net tension has been released, loosen the locking knobs on the Slider Bars to allow the Slider Bars to freely move up and down. Adjust VB1250KU Net (C) to desired height. Once the top of the VB1250KU Net (D) is at the desired height, tighten the Slider Bars locking knobs and net top tension crank. See Figure 5.

11. Once the VB1250KU Net (D) is tensioned at the desired height, install the Height Labels (F). Line up the appropriate line on the Height Label (F) with the machined height indicator mark on the Slider Bars. Use a credit card or something similar to smooth all air bubble from Height Labels (F).

12. When you are confident that your net set up is correct cut off any excess top and bottom rope leaving approximately 36" of excess. Singe the ends of both ropes.

13. Install padding and antennas, if applicable.

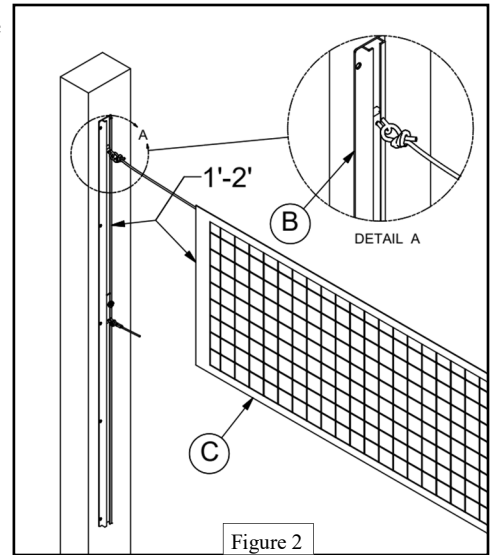


Figure 2

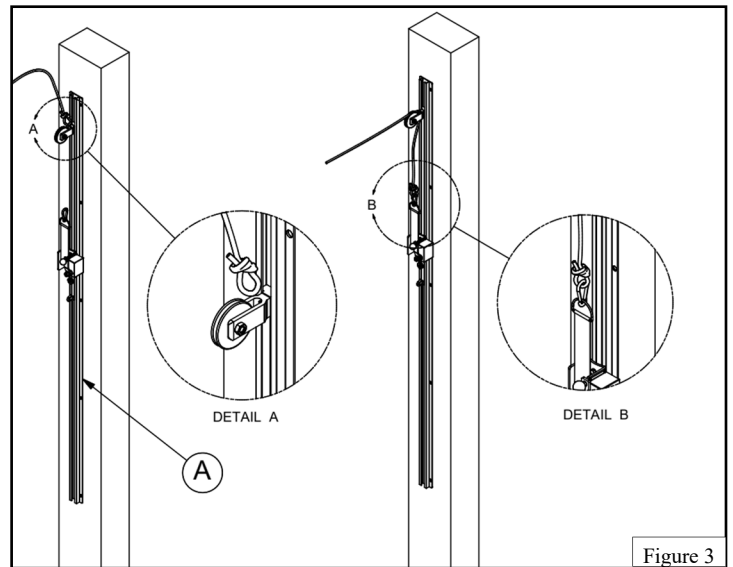


Figure 3

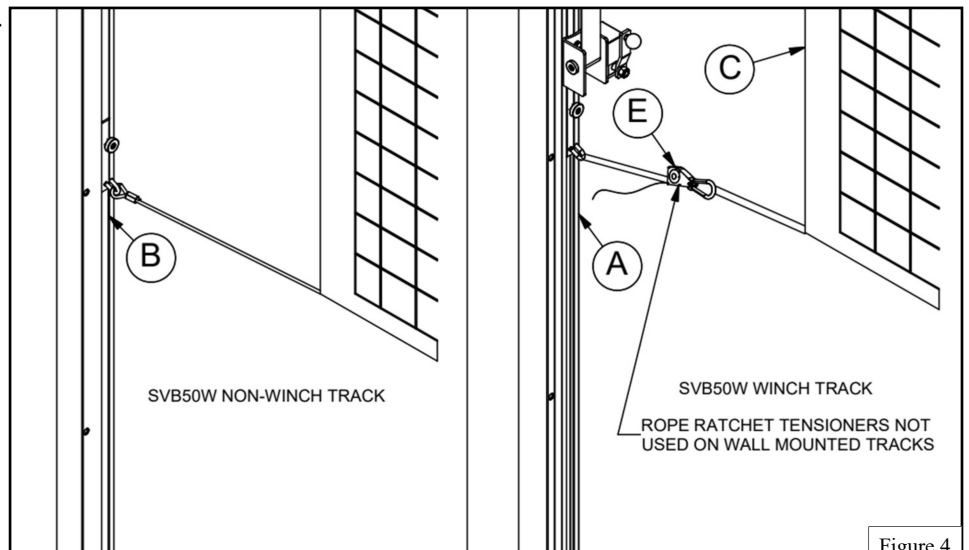
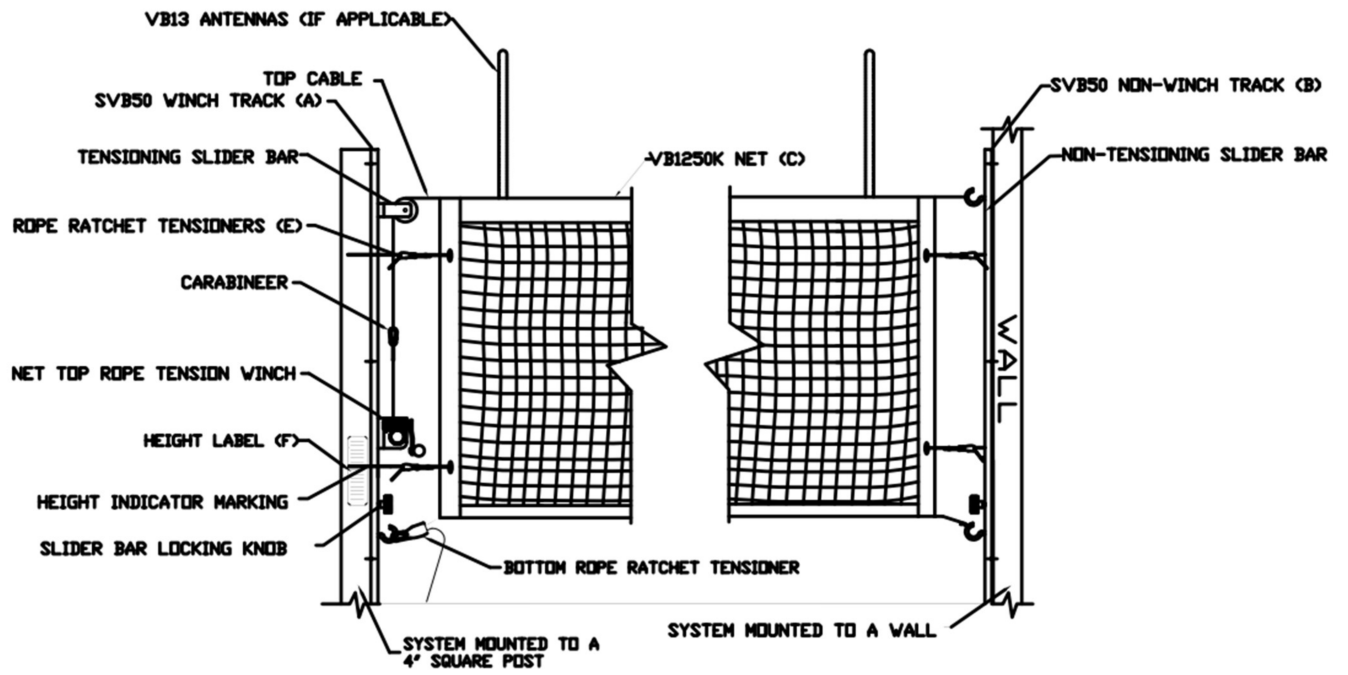


Figure 4

FIGURE 5



VOLLEYBALL COURT LAYOUT

