



2 TIER INDOOR BLEACHER

Models BLI0702, BLI1502 and BLI2102

Aluminum or Galvanized Steel Frame Assembly

Customer Service
(800) 247-7668

PARTS LIST									
Item	7 1/2' Qty	15' Qty	21' Qty	Description	Item	7 1/2' Qty	15' Qty	21' Qty	Description
A	2	2	2	Dull Aluminum Seat Plank	J	1	2	3	Front Brace
B	1	1	1	Shiny Aluminum Foot Plank	K	2	4	6	Rear Brace
C	2	3	4	Frame Assembly	L	2	3	4	Spacer
D	9	14	19	3/8-16 x 1 1/4" Hex Bolt	M	12	18	24	3/8" x 1" Carriage Bolt
E	6	9	12	3/8" Flat Washer	N	12	12	12	#10 x 3/4" Sheet Metal Screw
F	27	41	55	3/8" Hex Nut	O	6	6	6	Seat End Cap
G	27	41	55	3/8" Lock Washer	P	2	3	4	3/8" x 2 1/4" Hex Bolt
H	12	18	24	Bench Clamp	Q	4	6	8	Swivel Caster
I	6	9	12	Rubber Feet					

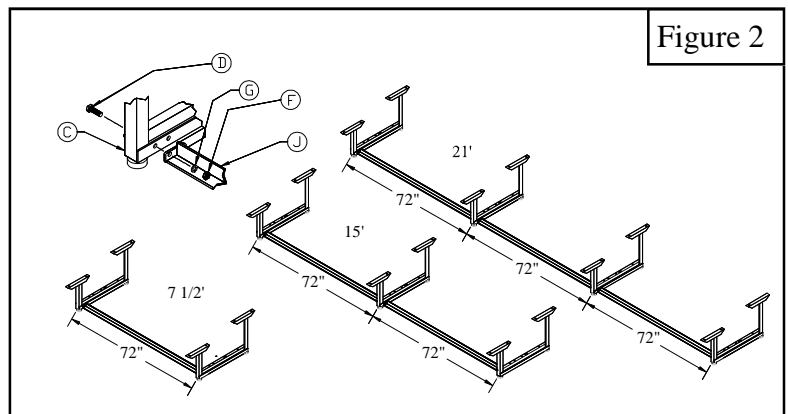
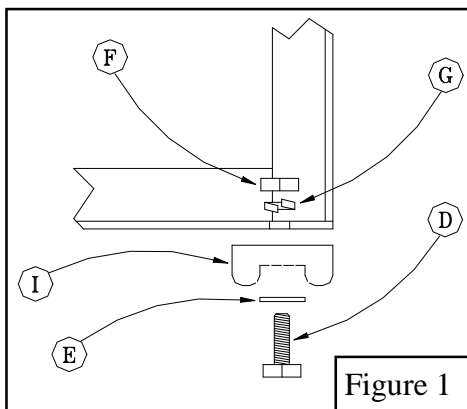
NOTE: Extra hardware may be included

- ◆ Inspect all contents prior to installation. Report any missing parts to dealer immediately.
- ◆ Read all instructions before proceeding.

NOTE: If you have purchased bleacher with galvanized steel frame assemblies

Prior to assembly check all fastening holes for bolt clearance. On occasion the galvanizing process will partially flow into the fastening holes causing interference. You must remove the excess galvanizing with a power drill, **DO NOT** attempt to pound the fastening hardware through the holes, you will damage the threads and risk injury.

1. Attach *Rubber Feet* (I) in 2 places to each *Frame Assembly* (C) using *3/8" X 1 1/4" Hex Bolts* (D), *3/8" Washers* (E), *3/8" Lock Washers* (G) and *3/8" Hex Nuts* (F). See Figure 1.
2. Position *Frame Assemblies* (C) approximately 72" apart on a level flat surface. Install *Front Brace* (J) using *3/8" X 1 1/4" Hex Bolts* (D), *3/8" Lock Washers* (G) and *3/8" Hex Nuts* (F). See Figure 2.



3. Using one each $3/8''$ X $1\ 1/4''$ Hex Bolt (D), $3/8''$ Lock Washer (G) and $3/8''$ Hex Nut (F) assemble the Rear Braces (K), leave hardware finger tight. See Figure 3.
4. Use Swivel Caster (Q), $3/8''$ Lock Washer (G) and $3/8''$ Hex Nut (F) to attach top Rear Brace (K) into the first hole from the top of Frame Assembly (C). See Figure 3.
5. Use Swivel Caster (Q), $3/8''$ Lock Washer (G) and $3/8''$ Hex Nut (F) to attach bottom Rear Brace (K) in the fourth hole down from the top of the Frame Assembly (C). See Figure 3.
6. Attach Spacer (L) and Rubber Foot (I) through the bottom hole in the Frame Assembly (C) with $3/8''$ X $2\ 1/4''$ Hex Bolt (P), $3/8''$ Washer (E), $3/8''$ Lock Washer (G) and $3/8''$ Hex Nut (F). See Figure 3.
7. Attach Dull Aluminum Seat Planks (A) and Shiny Aluminum Foot Planks (B) with $3/8''$ X $1''$ Carriage Bolts (M), $3/8''$ Lock Washers (G), $3/8''$ Hex Nuts (F) and Bench Clamps (H). Use the mounting holes that are approximately $12''$ and $18\ 1/2''$ from the back of Frame Assembly (C) to attach the Shiny Aluminum Foot Planks (B). Each Dull Aluminum Seat Plank (A) and Shiny Aluminum Foot Plank (B) should extend equal distance on both sides from outside Frame Assemblies (C). Make sure Frame Assemblies (C) are square and parallel to each other prior to tightening hardware. See Figures 4 and 5.
8. Install Seat End Caps (O) with #10 X $3/4''$ Sheet Metal Screws (N). See Figure 6.
9. Make sure all hardware is tightened prior to use.

