

BA980 RSE/RTE

Electric Height Adjustment System



Customer Service
(402) 474 3353

PARTS LIST

Item	Qty	Description	Item	Qty	Description
A	1	Height Adjuster Frame	G	8	3/8" Lock Washer
B	1	Electrical Handy Box	H	1	BA980EW Electric Wand (Optional)
C	1	Height Adjust Label	I	1	BA980 Electric Saddle & Wand Box Assembly (Optional)
D	8	3/8" X 3" Hex Bolt	J	1	BA975KS Key Switch (Optional)
E	8	3/8" Hex Nut	K	2	1/2" X 1 1/2" Hex Bolt (Included w/Saddle & Wand Box)
F	16	3/8" Flat Washer	L	2	1/2" Flange Nut (Included w/Saddle & Wand Box)

Warning!

**Wall structure must safely support additional weight of height adjuster.
980RSE = 175lbs , 980RTE = 190lbs**

- ◆ Inspect all contents prior to installation. Report any missing parts to dealer immediately.
- ◆ Read all instructions before proceeding.

1. Mount *Height Adjuster Frame* (A) to wall structure with *3/8" X 3" Hex Bolts* (D), *3/8" Hex Nuts* (E), *3/8" Flat Washer* (F) and *3/8" Lock Washer* (G). See Figure 1.
2. Level *Height Adjuster Frame* (A) to playing surface/wall structure. Tighten all hardware.
3. Mount backboard assembly to the *Height Adjuster Frame* (A) using mounting brackets shown. Hardware included in backboard packaging or existing in previously installed product. See Figure 1.
4. Mount rim to backboard. Hardware included in rim packaging or existing in previously installed product.
5. Level backboard and rim to playing surface. Tighten all hardware.

Warning!

It is strongly recommended that a qualified electrician be used to do all wiring.

6. Using the supplied *Electrical Handy Box* (B) make the junction from the actuator to either the *BA980 Electric Saddle & Wand Box Assembly* (I) or the *BA975KS Key Switch* (J). If using the *BA980 Electric Saddle & Wand Box Assembly* (I) find an easily accessible place on the wall structure. Using the *1/2" X 1 1/2" Hex Bolts* (K) and the *1/2" Flange Nuts* (L) clamp it to the wall structure. See Figures 1 & 2.

Figure 1

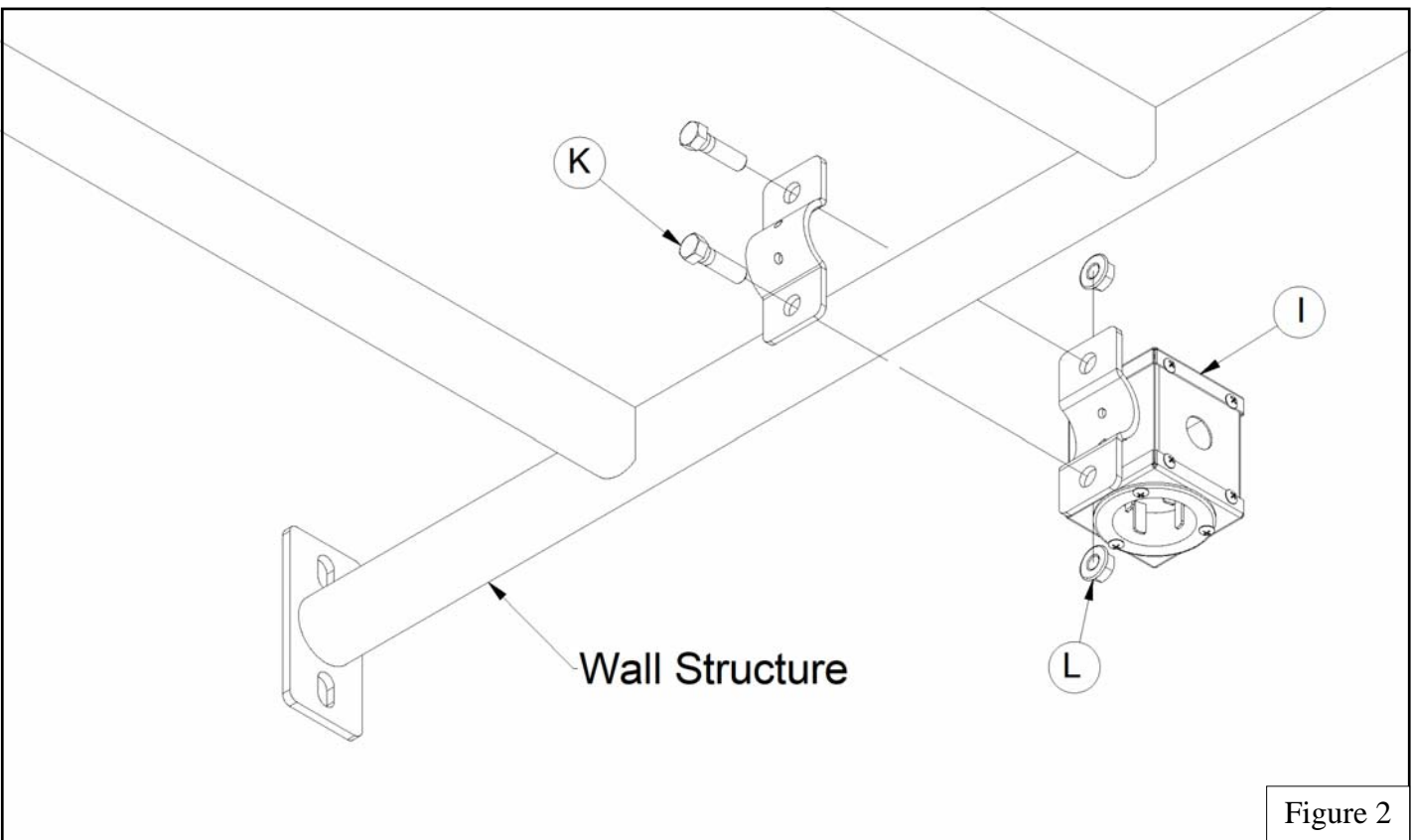
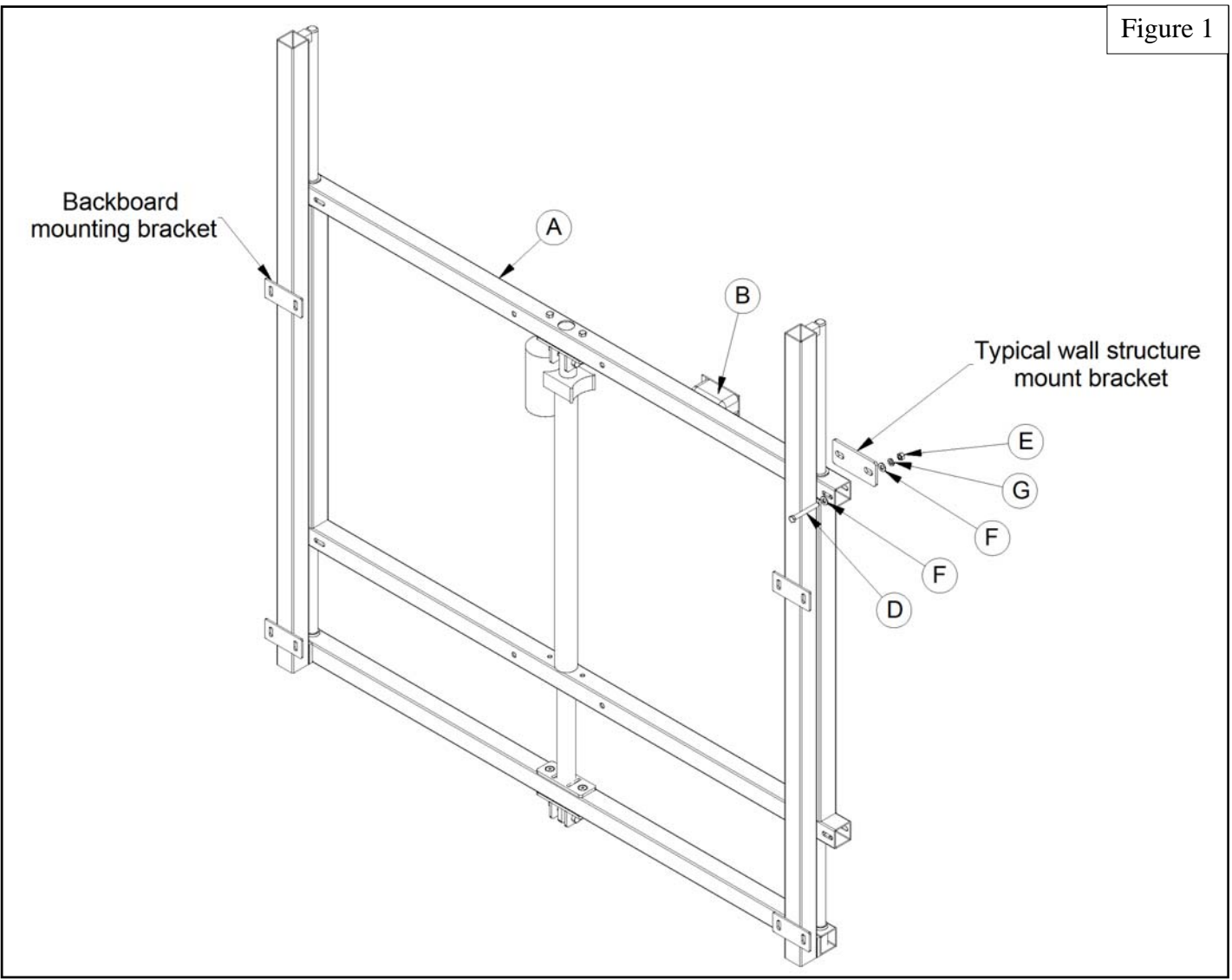
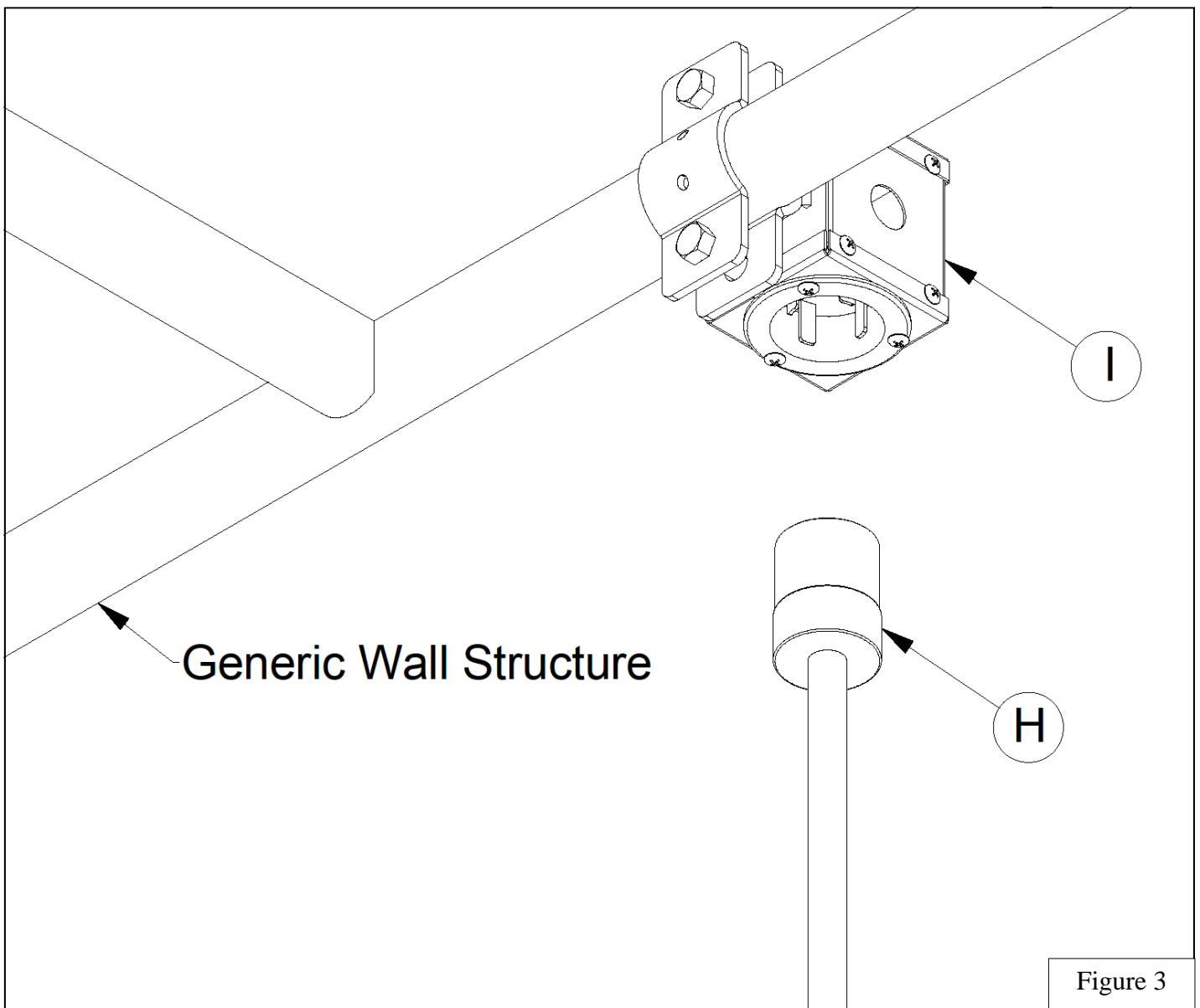


Figure 2

7. Using either the *BA980EW Electric Wand (H)* with the *BA980 Electric Saddle & Wand Box Assembly (I)* or the *BA975KS Key Switch (J)* raise rim to the official 10' height, to the top of rim. If using the *BA980EW Electric Wand (H)* insert the plug end into the socket of the *BA980 Electric Saddle & Wand Box Assembly (I)* then twist until locked into place before turning the key to raise or lower the *Height Adjuster Frame (A)*. Cut apart *Height Adjuster Label (C)* at the perforations. Attach "Rim Height" Label to the *Height Adjuster Frame (A)* 2" above horizontal tube as shown. Align "10.0 FEET" label to "Rim Height" label and attach to frame as shown. Adjust rim down to 9 1/2 feet, align "9.5 FEET" label to frame. Repeat this process for the remaining height labels. See Figures 3 & 4.
8. Grease the slide assembly by wiping a light film on the grease point annually or as needed to insure smooth adjustment. See Figure 4.



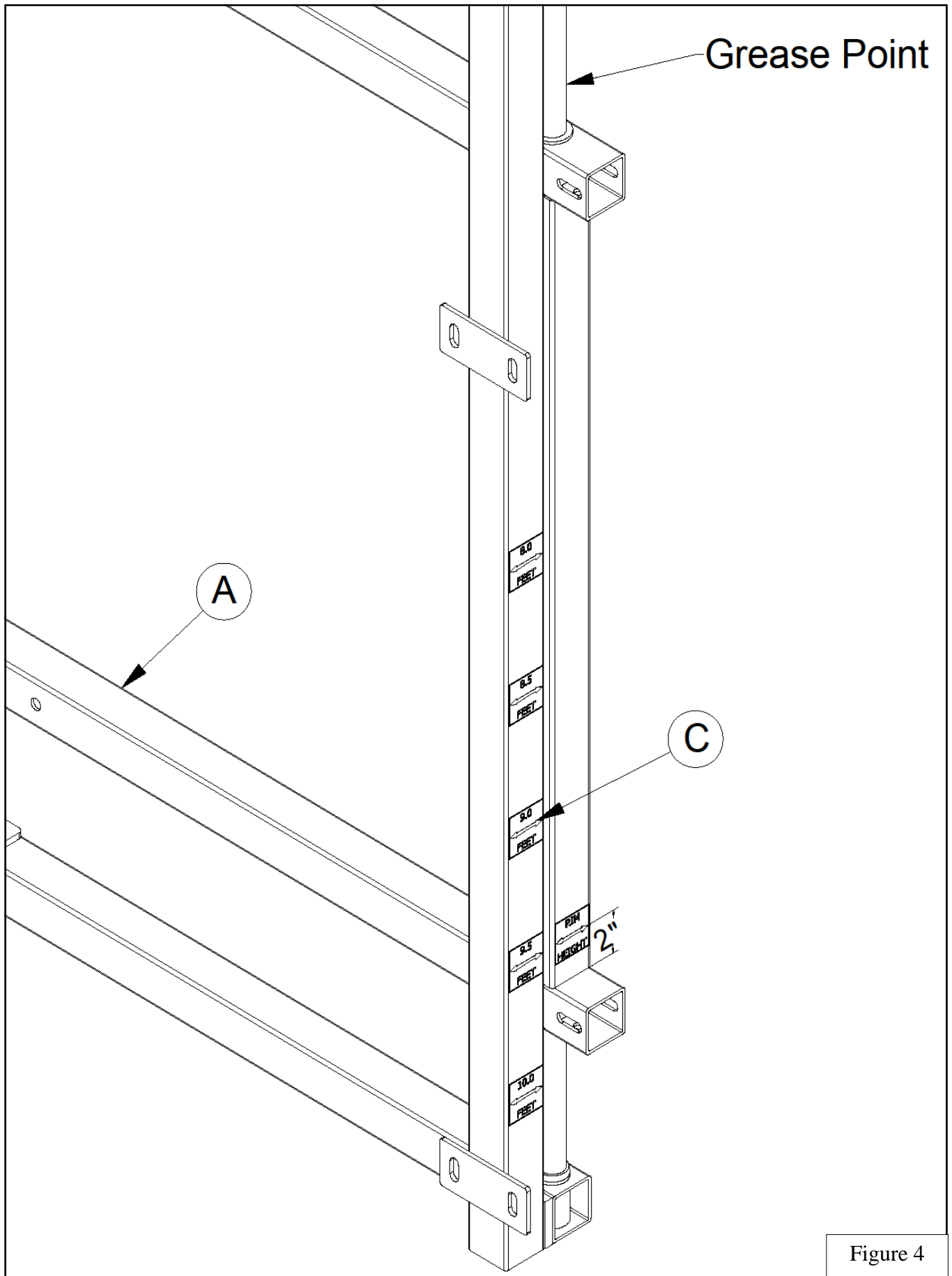


Figure 4