

Instruction Manual

IN STOCK



SIDEFOLD STRUCTURE

Customer Service
(800) 247-7668

4'-6'/6'-8'/8'-12' Fan & Rectangle

PARTS LIST					
A	2	Frame and Extension Assembly	L	8	7/16" Lock Washer
B	3	Wall Board (Rect. 84" Long / Fan 56" Long)	M	8	7/16" Hex Nut
C	2	Chain Eye Bracket	N	10	5/8" X 4" Hex Bolt
D	2	Chain Connector Bracket	O	10	5/8" Lock Nut
E	12	Flanged Elevator Bolt	P	2	Chain Connector
F	16	3/8" Hex Nut	Q	2	3/16" Proof Chain
G	12	3/8" Flat Washer	R	8	Hinge
H	16	3/8" Lock Washer	S	1	Stabilizer Assembly
I	2	Turnbuckle	T	4	3/8" X 2 1/2" Hex Bolt
J	8	7/16" X 1 1/2" Carriage Bolt	U	1	Allen Wrench
K	8	7/16" Flat Washer	V	1	Structure Handle

CAUTION !!!

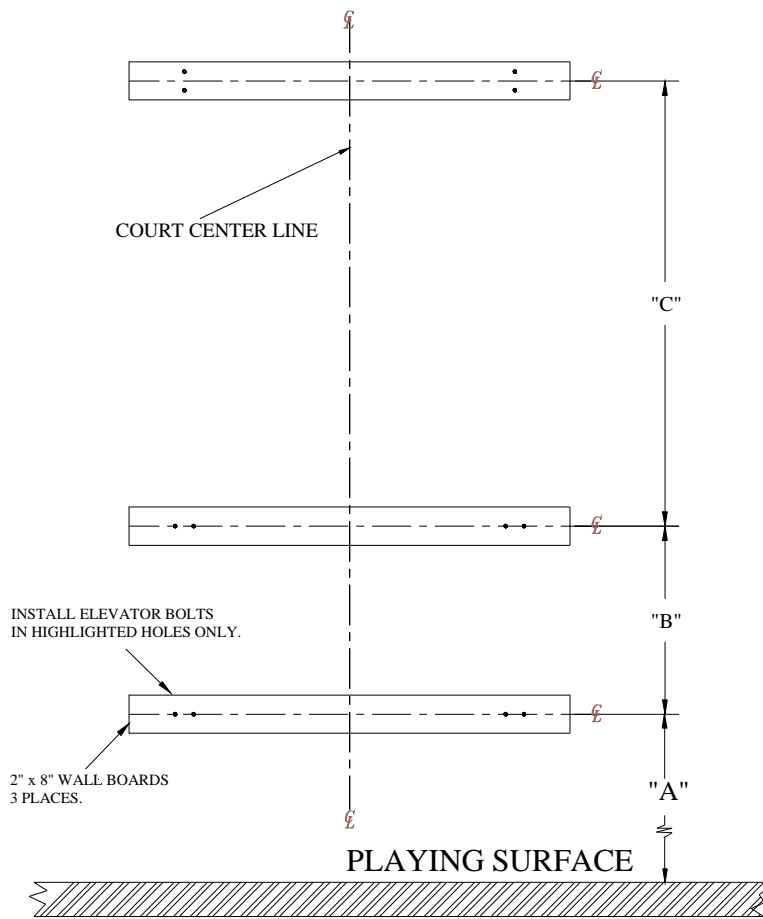
Wall mount structures require a minimum ceiling and wall height as well as an acceptable wall mounting surface. Brick, block, or poured concrete walls are superior. It is inadvisable to mount structures to walls with wood or steel studs unless additional work approved by an engineer is done to provide additional support. Bison does not provide wall anchors with any structure. The purchaser assumes liability for the installation of any wall mounting structure. Consult a professional architect, engineer, or contractor to determine safe methods of installation to your facility's wall construction.

Note!!!

All assembly materials are supplied except hardware to attach the wall boards to the customer's wall. Attachment method and type of anchor used are the responsibility of the installer.

- ◆ Inspect all contents prior to installation. Report any missing parts to dealer immediately.
 - ◆ Read all instructions before proceeding.
1. Using the Wall Board Layout Diagram, determine which pre-drilled holes to use on the *Wall Boards* (B). Using a hammer, install the *Flanged Elevator Bolts* (E) into the back of each wall board in the appropriate holes. See Figure 1.

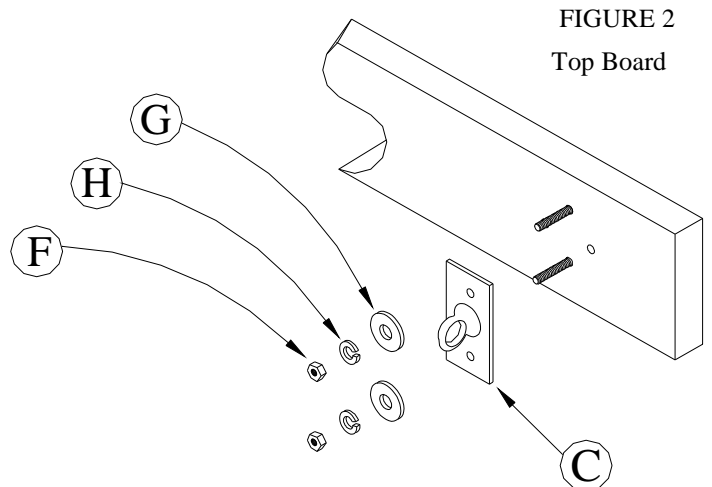
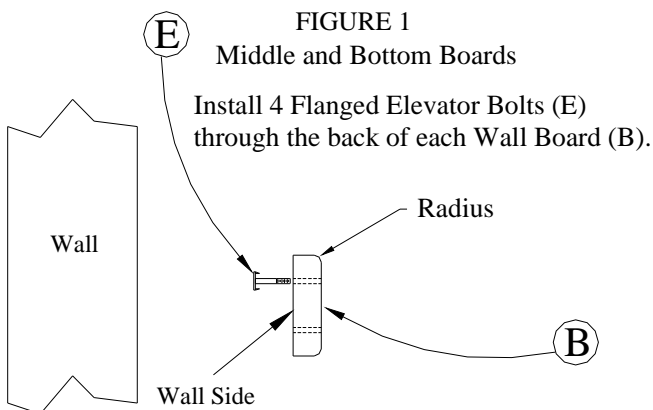
WALL BOARD LAYOUT DIAGRAM.



NOTE !!!
 Dimension "C" is determined by the distance from the backboard to the wall.
Example: If the backboard is 6' from the wall then dimension "C" = 6'.

Bison Backboard Models	Dimension "B"
BA42XL	35 1/2" +/-1/4"
BA495	20" +/-1/4"
Bison Backboard Models	DIM "A" FROM PLAYING SURFACE
BA42XL	9' 9 1/2" +/-1/4"
BA495	10' 2" +/-1/4"

2. Mount *Chain Eye Brackets (C)* to the top *Wall Board (B)* using *3/8" Flat Washers (G)*, *3/8" Lock Washers (H)* and *3/8" Hex Nuts (F)*. This wall board assembly will be mounted in the top position on the wall. See Figure 2.



3. Mark the center line of the court on the wall. Fasten the 3 *Wall Boards* (B) to the wall at the heights indicated on the chart and centered with the center line of the court (**Wall Board Layout Diagram**). Drill holes in *Wall Boards* (B) according to position and type of wall anchor chosen. Anchor each *Wall Board* (B) in no less than four places. If the wall is masonry (Brick over block), block, or poured concrete **and** it's possible to drill through the wall **and** have access to the other side of the wall it is strongly recommended that the installer bolts through the wall using 1/2" bolts.

Warning!!!

Severe injury to players or fans may result from failure to select a proper anchoring system given the construction and condition of the wall or the improper use of the proper anchoring system.

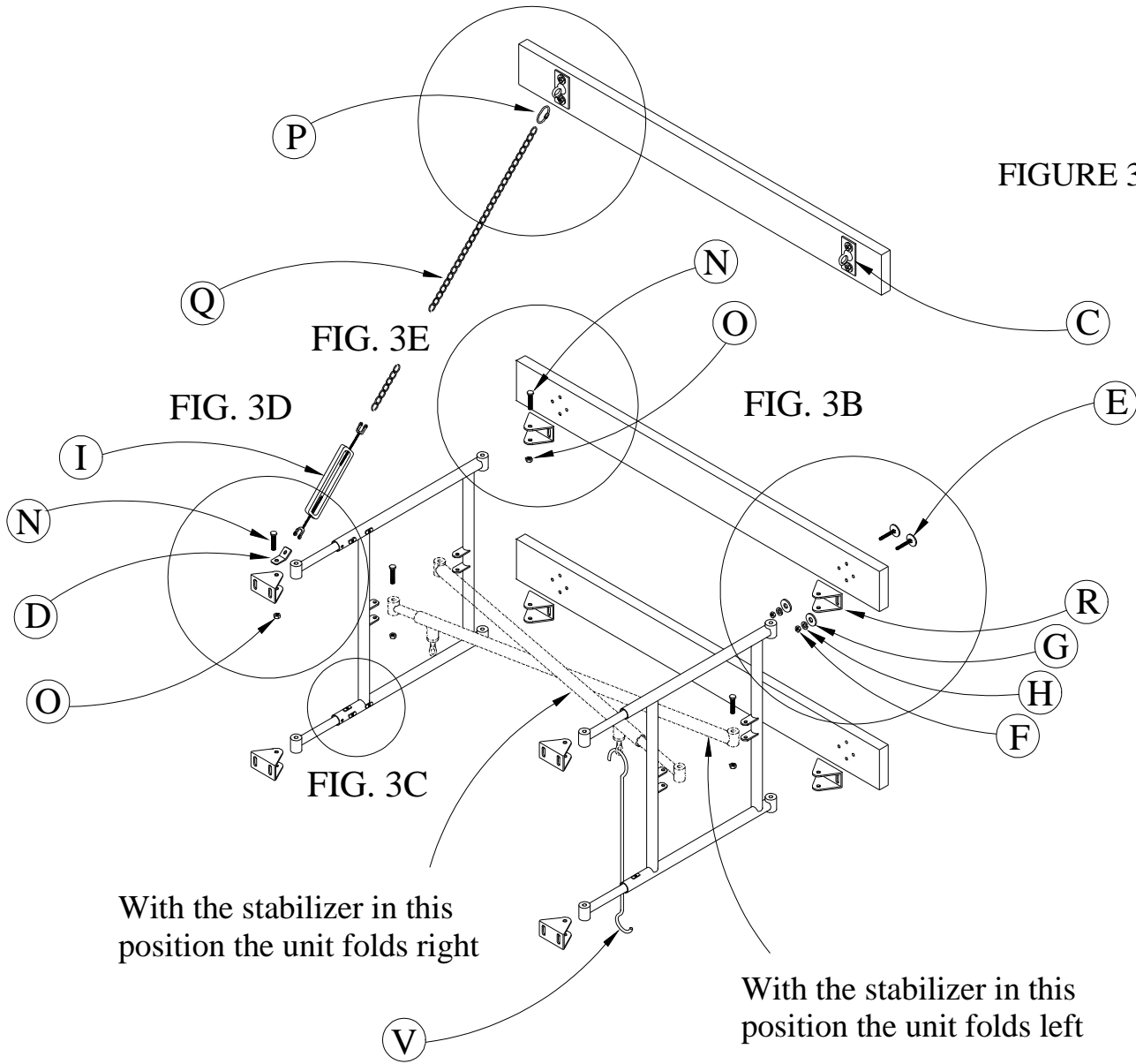
Note!!!

Bison model **BA955** Safe-Lok Structure Catch is recommended especially for systems installed over bleachers.

4. Attach a *Chain Connector* (P) and a 3/16" *Proof Chain* (Q) to each *Chain Eye Bracket* (C). See Figure 3A.
5. Attach the *Hinges* (R) to the *Flanged Elevator Bolts* (E) on the middle and bottom *Wall Boards* (B) using 3/8" *Flat Washers* (G), 3/8" *Lock Washers* (H), and 3/8" *Hex Nuts* (F). See Figure 3B.
6. Attach a *Frame Assembly* (A) to each set of *Hinges* (R) with 5/8" X 4" *Hex Bolts* (N) and 5/8" *Lock Nuts* (O). You may need to support the frames until step #7 is complete. The *Frame Assemblies* (A) are interchangeable and it is best to position the set screws to the inside. Adjust the extension tubes to the approximate desired extension from the wall. The *Hinges* (R) are slotted to allow adjustment if necessary. It is recommended to start with the bolts towards the center of the adjustment slots. See Figure 3.
7. Attach a *Chain Connector Bracket* (D) to each chain with a *Turnbuckle* (I) and then attach a *Hinge* (R) to each extension tube and attach a *Chain Connector Bracket* (D) to each top *Hinge* (R). See Figure 3D.
8. Determine desired direction to fold the structure. Attach the *Stabilizer* (S) diagonally between the frames using 5/8" X 4" *Hex Bolts* (N) and 5/8" *Lock Nuts* (O). Tighten the chain with the *Turnbuckle* (I) until there is no slack in the chain. Do not remove excess chain until assembly is complete. See instruction #13 and Figure 3.

FIG. 3A

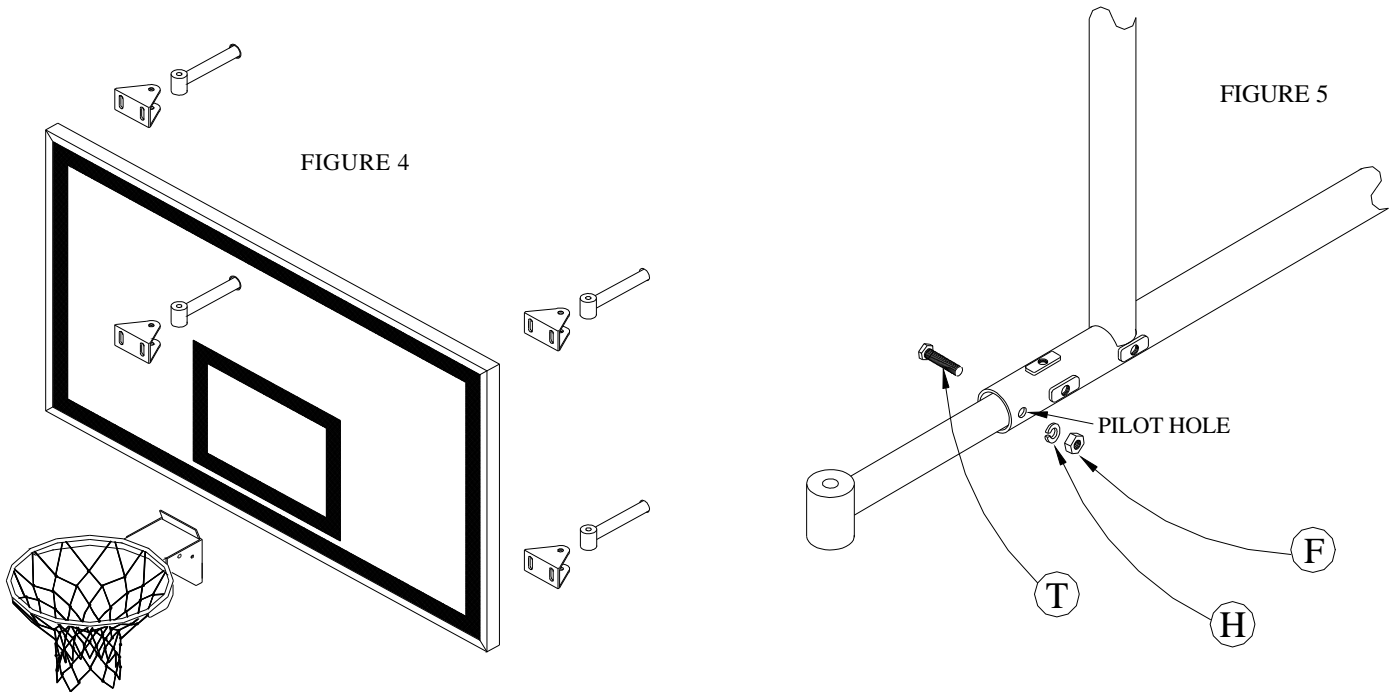
FIGURE 3



- Adjust the four extension tubes so the mount surface of the *Hinge* (R) is the same distance from the wall and allow the correct distance from the face of the backboard to the wall. Tighten all the set screws with the *Allen Wrench* (U) provided. **NOTE:** Mount height adjuster at this time if applicable using instructions provided with the height adjuster.

Warning!!!

Failure to have all hinges in the same plane will create stress on the backboard and may result in breakage of glass backboards before, during, or after play begins.



IMPORTANT!!!
THE STRUCTURES MUST BE PARALLEL AND THE EXTENSIONS
MUST BE THE SAME LENGTH FOR PROPER FOLDING.

10. Mount the backboard to the structure. In most cases the *7/16" Hardware (J-M)* is required. Some backboards might require hardware not provided with this unit. Be sure to level backboard . See Figure 4.
11. When you are confident that the board is level, the proper distance from the wall, and there is no stress on the backboard due to misalignment, drill *3/8"* holes through both tubes at the pilot holes on both *Frames (A)* and secure with *3/8" X 2 1/2" Hex Bolts (T)* , *3/8" Lock Washers (H)*, and *3/8" Hex Nuts (F)*. See Figure 5.
12. Mount the rim and net insuring that the rim is 10' from the playing surface and level.
13. Check to insure all bolts are tight. When all steps to this point are complete remove excess chain with a bolt cutter or hacksaw.
14. Install backboard padding if applicable.
15. Do not allow play until you are confident that the structure is securely mounted to the wall. The structure must be capable of supporting 1000 lbs. to be considered safe for play.
16. Pulling downward with *Structure Handle (V)* will release the *Stabilizer Assembly (S)* allowing the entire wall structure to fold against the wall when not in use.

NOTE!
WALL MOUNTED STRUCTURES SHOULD BE CHECKED
YEARLY FOR LOOSE BOLTS OR ANCHORS.