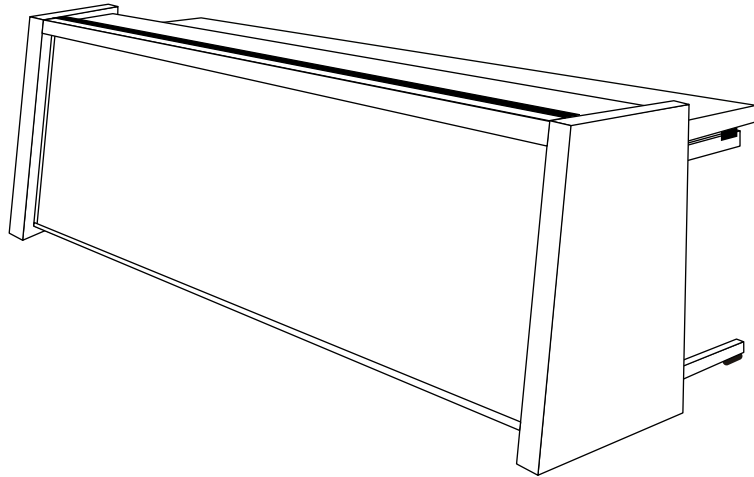
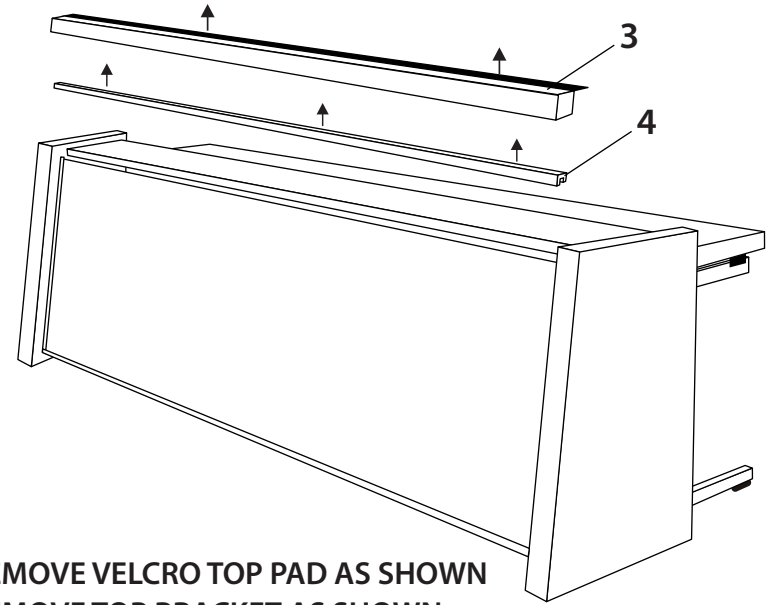




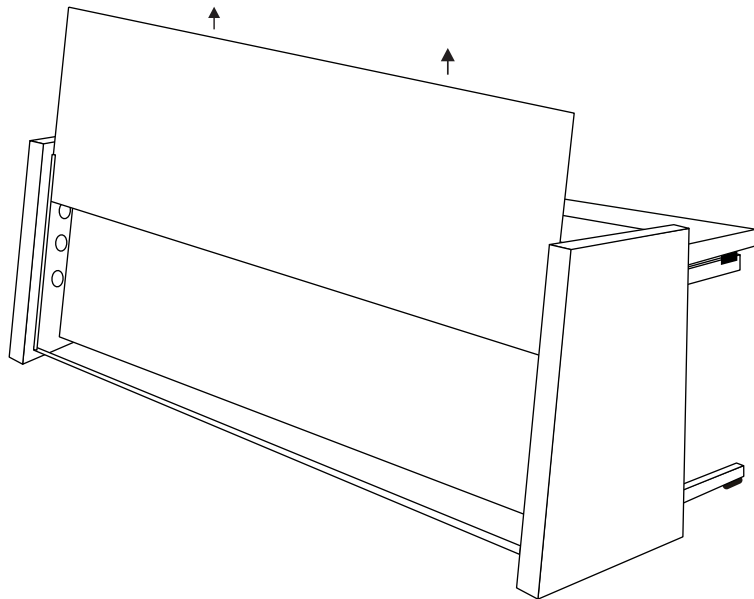
YOUR TABLE WAS SHIPPED WITHOUT THE LIGHT BULBS INSTALLED TO INSTALL THE LIGHT BULBS, FOLLOW THESE STEPS:



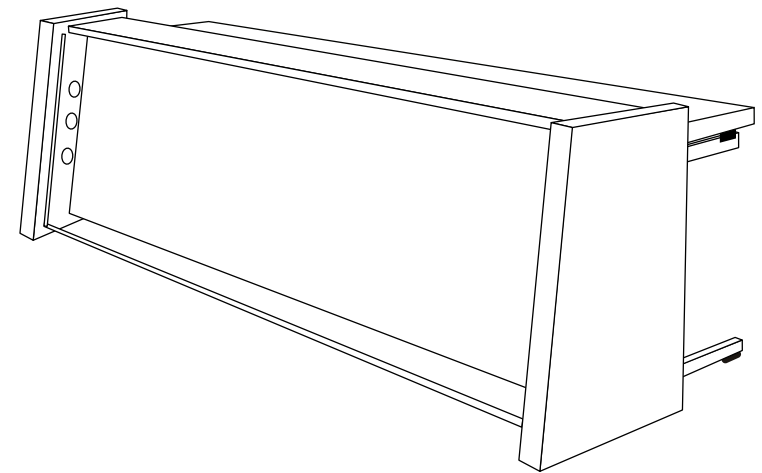
1. SET TABLE UP AS SHOWN
2. MAKE SURE POWER IS DISCONNECTED



3. REMOVE VELCRO TOP PAD AS SHOWN
4. REMOVE TOP BRACKET AS SHOWN



5. SLIDE POLYCARBONATE OUT AS SHOWN



6. YOUR LIGHT BULBS ARE LOCATED ON THE TABLE BOTTOM
TO INSTALL THE BULBS, INSERT THE FIRST END OF THE BULB INTO PLUNGING LAMPHOLDER
NEXT INSERT THE SECOND END OF THE BULB INTO THE STATIONARY LAMPHOLDER

5. SLIDE YOUR POLYCARBONATE BACK IN, PLACE THE TOP BRACKET BACK ON THE POLYCARBONATE
AND REPLACE THE VELCRO TOP PAD