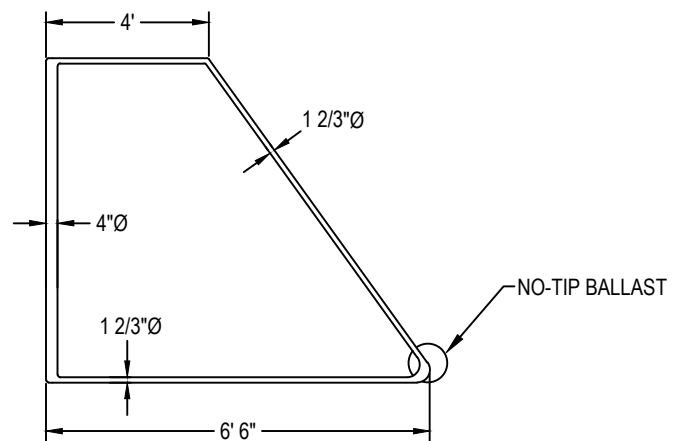


TYP. 4" DIA. EXTRUSION



Face of goal shall be constructed of 4" round extruded 6063-T6 aluminum with a minimum wall thickness of 2/25". Extrusions shall have a net track extruded in the rear face to allow net attachment using specially designed clips included with each system. Goal shall have an 18' 6" wide x 6' 6" high opening. The backstays and rear stabilizer bar shall be constructed of 1 5/8" diameter x 13 ga. minimum galvanized steel tube and provide a 4' top depth x 6' 6" bottom depth. 4" round face of the goal shall have a white textured polyester powder coated finish. Goal shall carry an 8-year limited warranty. Each goal shall include two 11" diameter by 12" wide molded polyethylene ballast drums that act as rear ballast to comply with ASTM F2056 when filled with sand at time of installation. Rear drums shall rotate on a tubular rear horizontal stabilizer bar and serve as transport wheels. Additional standard features shall include molded plastic net attachment clips, 4mm white nets, Velcro net straps and net ground stakes. Installation to be completed in accordance to manufacturer's instructions. Do not scale drawings. System shall weigh approximately 450#/pair



## PRODUCT SPECIFICATION

SC1865PA40NT 4" ROUND SHOOTOUT™ NO-TIP™ PORTABLE ALUMINUM SOCCER GOALS

REVISED 7/1/17