

ST85F CONVERTIBLE FLOOR MODEL AND ST85B BLEACHER MODEL



Customer Service
(800) 247-7668

SPORT PRIDE GRAPHIC SCORERS TABLES

WARNING!!!

Always check that your wheels roll freely and that they are clean before rolling the scoring table onto your floor. Failure to do so may scratch the floors finish.

FLOOR MODEL:

1. Roll the scoring table to the desired location, lift the table top all the way up and swing out the table legs on both sides. Lower the adjustable legs to rest on the floor. Lifting the table brace slightly will allow the adjustable leg to become fully engaged and stabilize the scoring table. Lower the table top on the table braces making sure that the table braces are secured into the locks on the lower surface of the table top. **(See Figure 2)**
2. When placed in the bleachers, install a platform that fits securely in the bleacher seat, and will safely hold the weight of the scoring table with a ledge to keep from rolling back. **(See Figure 3)** Remove the pins, cotter keys, and the floor adjustable leg and install the bleacher adjustable leg, and reinstall the pins and cotter keys. **(See Figure 1)** Hang adjustable legs not in use on hooks provided on the back side of padding

NOTICE!!!

The power strip is located on the backside of the front padding towards the top. **(Note: The power strip does not provide surge protection)**

BLEACHER MODEL:

3. Roll the scoring table to the bleachers, lift the table top all the way up and swing out the table legs on both sides. Lower the adjustable legs so they rest on the first bleacher seat. Lift the table brace to engage the adjustable leg. Lower the table top on the table braces making sure that the table braces are secured into the locks on the lower surface of the table top. **(See Figure 4)**

ALL MODELS:

4. When storing the score table, lift the table top, raise the adjustable leg up to the storage position, fold the leg in, place the table top in the folded position.
5. The Scoring Table Graphic Padding is digitally printed and has been liquid laminated to produce enhanced image quality, prevent UV fading, and provide protection from minor scratches. Due to the nature of this product in its intended application; you will experience normal wear and tear from contact. You may attempt to remove light scuffmarks or stains with warm water and mild dish soap or windex wiping gently being certain to rinse thoroughly. **(Note: The use of any chemical other than mild dish soap or windex, may remove protective laminate as well as printed color.)**

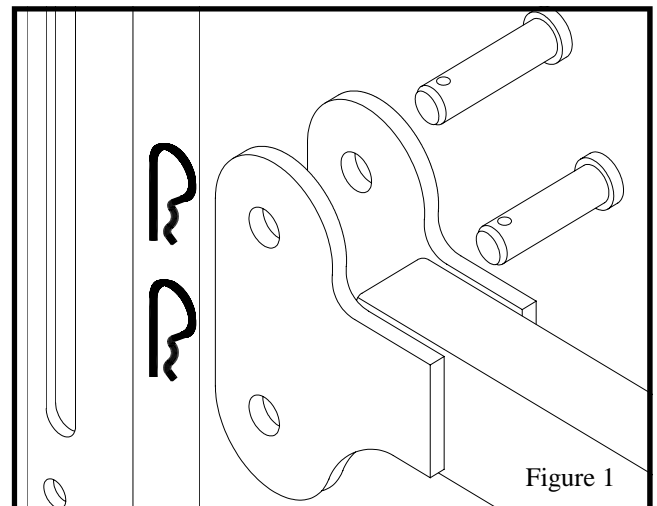


Figure 2

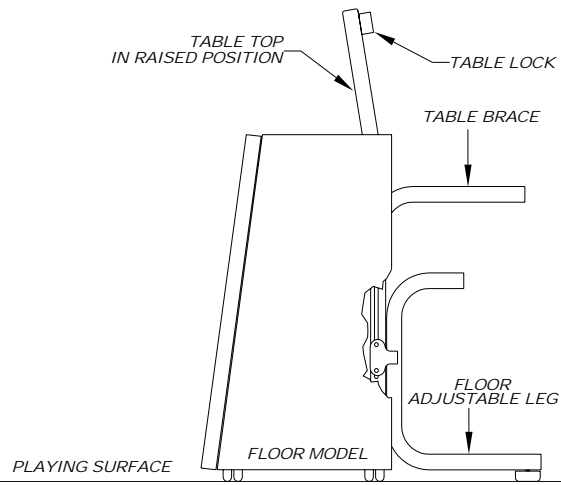


Figure 3

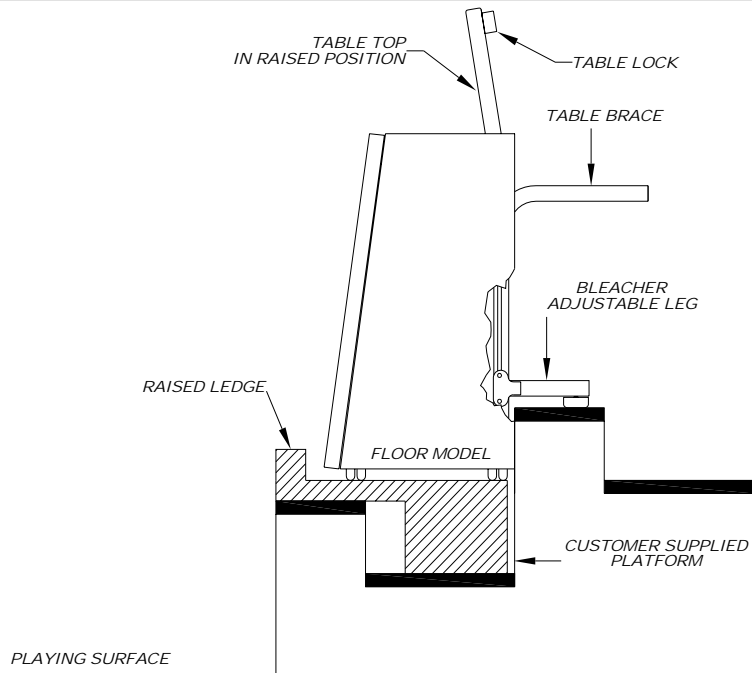


Figure 4

