

# — Installation Manual —

## BALED2.0



Correct Call LED Backboard System For 2 Backboards

Customer Service  
(800) 247-7668

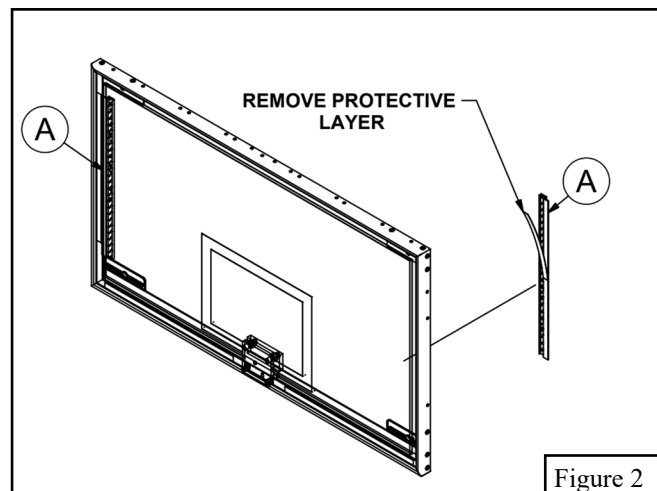
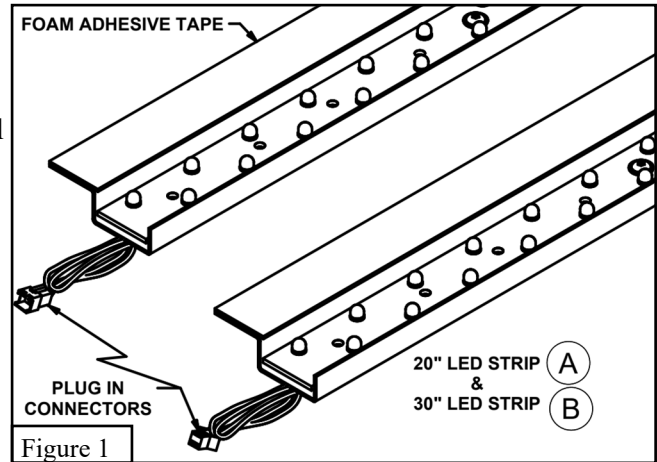
PARTS LIST					
Item	Qty	Description	Item	Qty	Description
A	4	30" LED Strip - PC4106	D	30	Male Wire Connector (Red, 22 ga) - PC3128
B	8	20" LED Strip - PC4106	E	30	Female Wire Connector (Red, 22 ga) - PC3128
C	1	Wire Cutter and Stripper - PC3128	F	2	48" Extension Plug - PC4106

- ◆ Inspect all contents prior to installation. Report any missing parts to dealer immediately.
- ◆ Read all instructions before proceeding.

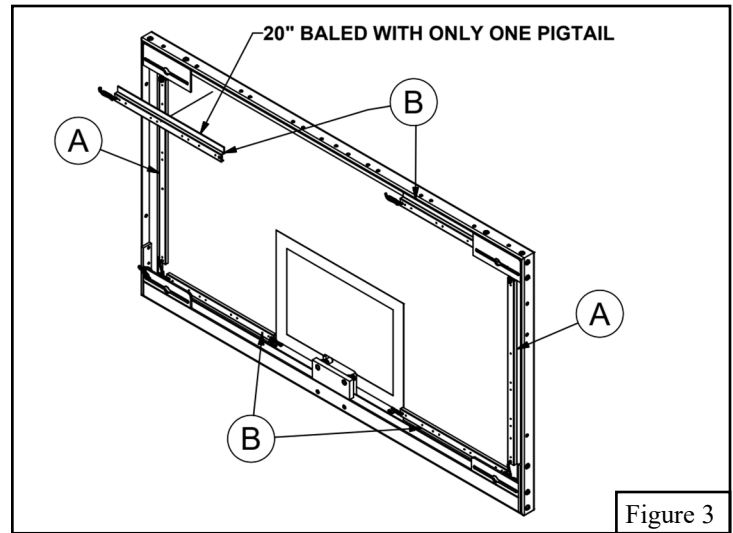
**Important Notes:** Bison BALED2.0 Correct Call™ LED Backboard Alert System is designed to be plugged directly into Bison SHCLK300 Wireless Shot Clock System for simultaneous activation with the shot clock or can be installed to be activated by means of a 24 volt signal sent directly from the existing scoreboard or existing shot clock. Operation by means of a signal other than 24 volt will require a transformer to provide a 24 volt signal.

BALED 2.0 is compatible with virtually any 42" x 72" or 48" x 72" glass backboard regardless of manufacturer or design due to its 6 piece LED light strip design. (A and B)

1. Each 30" LED Strips (A) and three of the four 20" LED Strips (B) have 16" long wire pigtails with plug in connectors on each end. One 20" LED Strip (B) has a pigtail on only one end. These pigtails will be shortened and the connectors removed and discarded once the LED Strips are properly mounted to the rear glass surface of the backboard. **DO NOT CUT AT THIS TIME.** See Figure 1.
2. The LED light strips mount to the rear of the backboard glass surface with foam adhesive tape that is factory installed on the mounting tracks. Due to the adhesive strength of this tape care must be taken to position the LED strips properly the first time as they are not easily repositioned.
3. Regardless of the height of the backboard (42" or 48") the 30" LED Strips (A) mount vertically on the two sides of the backboard. Position with the foam tape hidden behind the white border on the backboard an equal distance from the top and the bottom of the backboard. Once you have confirmed exactly where you will be mounting the 30" LED Strips (A) carefully remove the protective tape from the foam adhesive and attach the 30" LED Strips (A) to the backboard. See Figure 2.



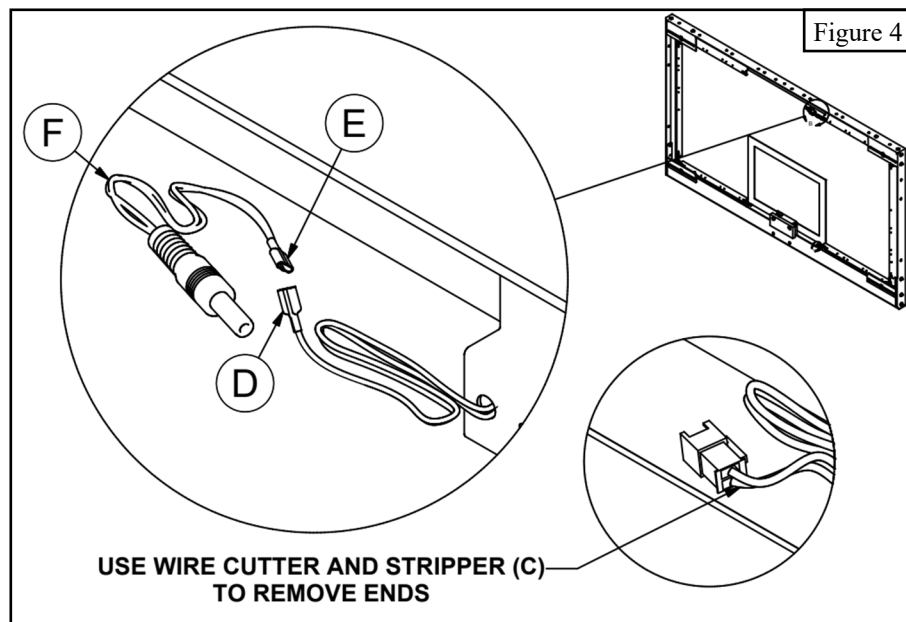
4. Two *20" LED Strips* (B) are mounted across the top and across the bottom of the backboard. The *20" LED Strip* (B) with only one pigtail should be positioned so that the end without the pigtail is in the center top of the backboard. The exact make and model of the backboard will determine exactly where each will be mounted to avoid interference with any mounting brackets or framework. In all cases the foam adhesive tape is hidden behind the white backboard border. After determining the appropriate mounting location carefully remove the protective tape from the foam adhesive tape and attach the *20" LED Strips* (B) to the rear of the backboard. See Figure 3.



5. If you are using BALEd2.0 with a Bison SHCLK300 Wireless Shot Clock System mount the SHCLK300 shot clocks according to those instructions prior to completing the wiring of BALEd2.0 so that you can cut *48" Extension Plug* (F) to the correct length.

6. If you are using BALEd2.0 with an existing shot clock or scoreboard proceed to instruction 10.

7. Using the *Wire Cutter and Stripper* (C), *Male Wire Connectors* (D) and *Female Wire Connectors* (E) attach the *48" Extension Plug* (F) to the pigtail on the end of a *20" LED Strip* (B) closest to the plug receptacle on the left bottom of the SHCLK300 SHOTCLOCK. You will want to shorten the pigtail and/or *48" Extension Plug* (F) for clean installation. See Figure 4.



8. Connecting the *Male Wire Connectors* (D) to the *Female Wire Connectors* (E) in advance will help avoid installation of the wrong wire connectors. Proceed to connect the pigtails of each adjacent LED Strip using the *Wire Cutter and Stripper* (C), *Male Wire Connectors* (D) and *Female Wire Connectors* (E). Take caution not cut to short but avoid excessive length to ensure a clean installation.

9. Insert the *Extension Plug* (F) into the female receiver on the bottom of the SHCLK300 Shot Clock and the BALEd2.0 System will be illuminated when the shot clock has counted down to zero.

10. If you are using BALEd2.0 with an existing shot clock or scoreboard determine the appropriate source of the signal that the device transmits into the shot clock. If it is 24 volt then there is no need for a transformer and BALEd2.0 LED System can be wired directly to that signal source. If the available signal is something different than 24 volt consult a Bison product specialist for use of an appropriate transformer mounted in line between the signal source and the BALEd2.0 LED Strips.